



Smart lift SL380 Outdoor

Product information and specifications

STANDARD EQUIPMENT

- Electric actuators secure precise installation
- Side shift 100 mm to each side
- Reliable 2 circuit vacuum system
- Easy to handle
- Recognized danish quality
- 500 W propeling engine
- Improves work environment
- Multi functional
- It is easy to transport by its own force over a platform in any van or trailer
- SmartLift was honoured with Swedish prize for improving work environment in 2007

DIMENSIONS



Width (min)	650 mm
Length (min)	2100 mm
Extention of arm	500 mm
Side shift	100 mm



Height	1350 mm
--------------	----------------



Tip from horizontal	50° backwards / 100° forward
---------------------------	-------------------------------------



Propelling engine	500 Watt
Battery (2 x 12 V) 24 Volt	2 x 60 A
Running period	Approx. 30 hours
Integrated charger	Cetek XT 14000
Charging time	Approx. 8 hours
Voltage charger	230 volt

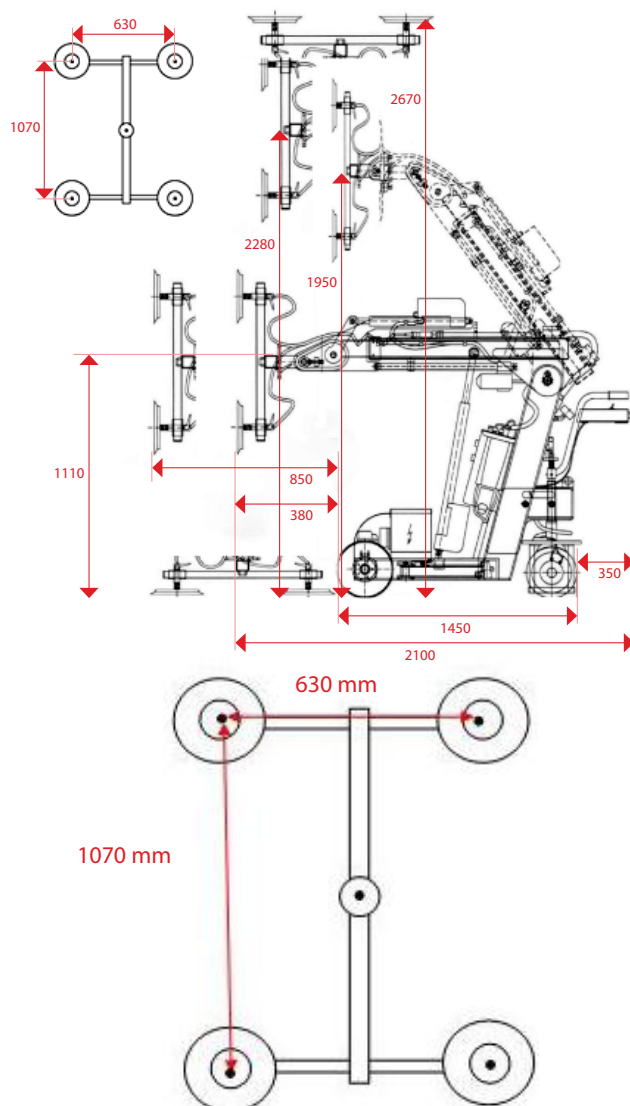


Vacuum system	2 circuits
Suction pads	4 x Ø300 mm
Automatic suction	Yes



Weight	570 kg
--------------	---------------

LOADING DIAGRAM



www.instant.no